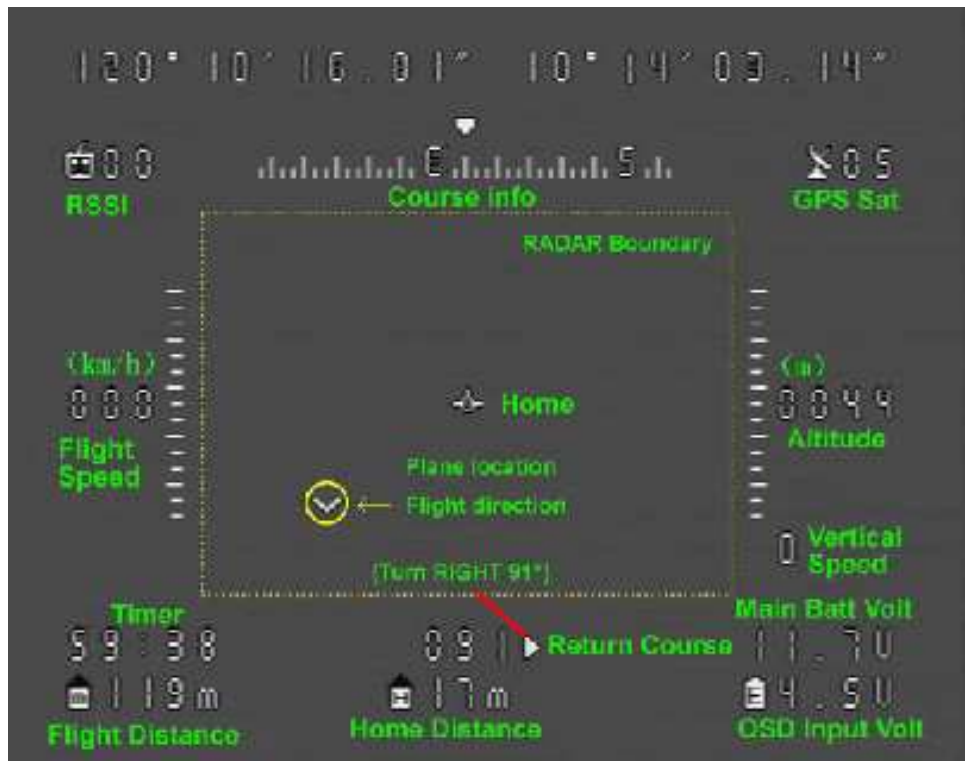
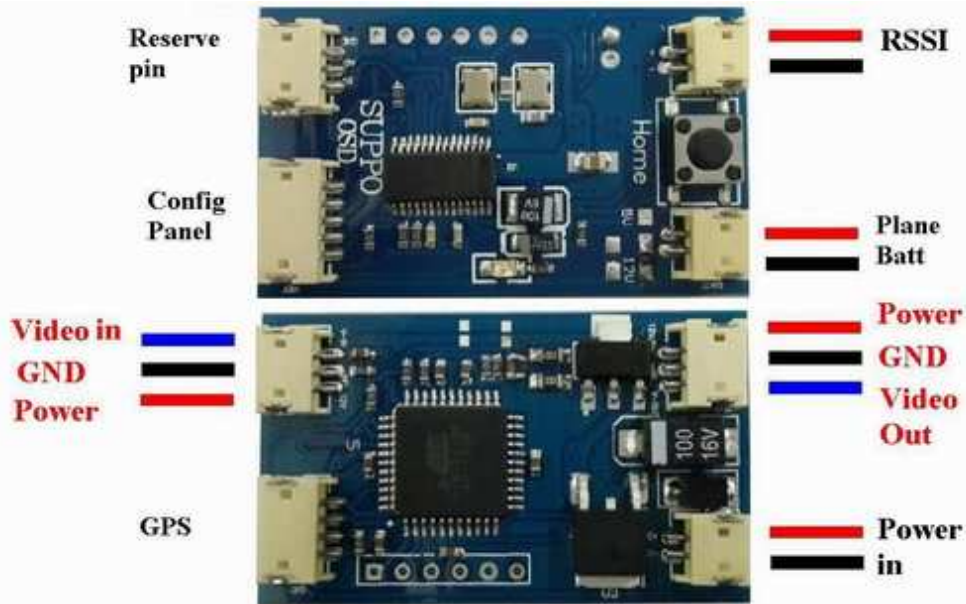


# SUPPO OSD v3.51 10HZ

New feature: support distance unit in meter /km and feet/ML, speed at kmh / mph



## Connetion Pins

Connector's description			
Config panel	Connect to button panel	Power in	Connect to power source for your OSD (as Voltage 4.5V shown on left)
		Video out	For the OSD video output
		RSSI	Connect to your radio receiver's RSSI port
		Main Batt (to RC plane's battery)	Connect to your airplane's battery pack ( monitor plane's voltage Max 28V). As 11.7v shown on left)
Camera	Connect to your camera	GPS	Connect to GPS unit

### Configuring OSD:

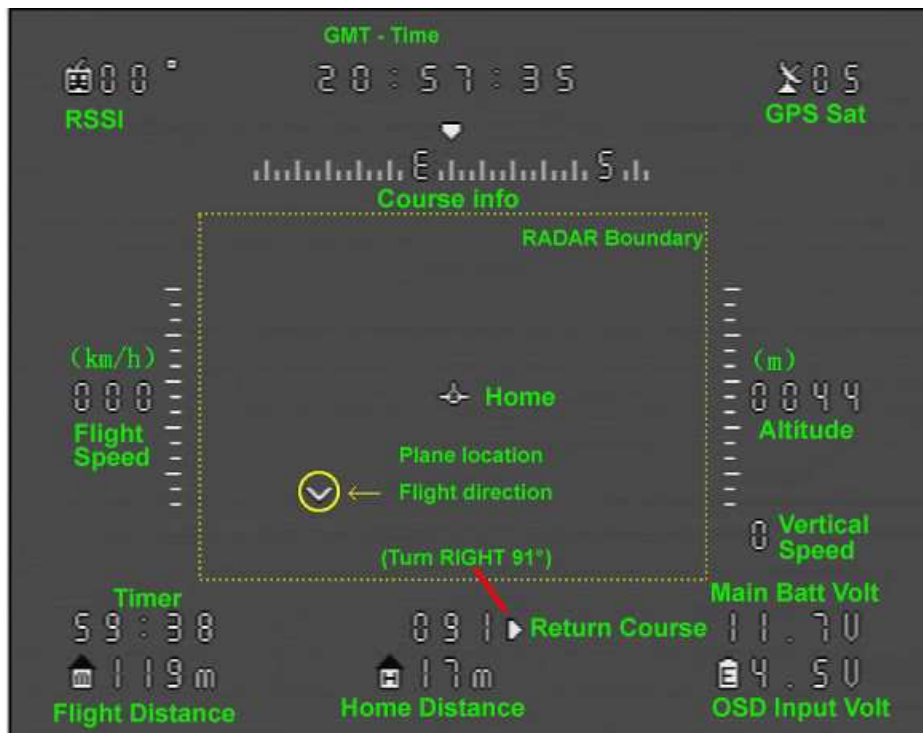
Press button **"Menu"** on "Config Panel" to enter system configuration

Use "Option SW" and "Select" button to configure



## Button and Light

“Home”	Record home location, Max RSSI, Clear timer, clear distance value
“Menu”	Enter configuration menu
“Switch”	Switch between configuration options
“Select”	Select each Option’s value
“Reset”	Restart OSD
Signal Light	Off : No power; On: connecting GPS, waiting for GPS signal; Flash: working good



System Config menu	description	
NTSC ENABLE	0 – Disabled (for PAL)	1 – Enabled (for NTSC)
DISPLAY MODE	0 –Longitude and Latitude	1 – GMT time
LOCATION MODE	0 – ddd mm ssssss Sample: E111° 15' 45.1813" N23° 28' 2.4255"	1 - dddmm.mmmmm Sample: 11115.4389 2328.22940
UNIT MODE	0 – Unit at meter (km when over 10km), Speed in km/h	1 – display Unit at feet (mile when over 10mile), speed in mph

## Typical FPV with OSD set up:

1. Camera ----- ‘Video in’ OSD “Video out” to ---- Suppo V-Tx , video transmitter.
2. Connect GPS, and Main Batt wire to --- RC main battery
3. Connect RSSI to your RC Receiver (**Warning**: potential dangerous, could damage your RX. not recommend to do so if you don’t well understand your Radio RX)
4. Connect 9-12V power to Suppo V-tx to power up Suppo V-Tx, OSD and the camera.

**Important Notice**, care fully check the power wire connect Camera, OSD and Video Tx. Wrong power wiring could damage your camera OSD and video transmitter.

**Important**: Never mix up the Video input (VI) wire with the Video output wire (marked VO), otherwise, it could damage your cam or video transmitter!

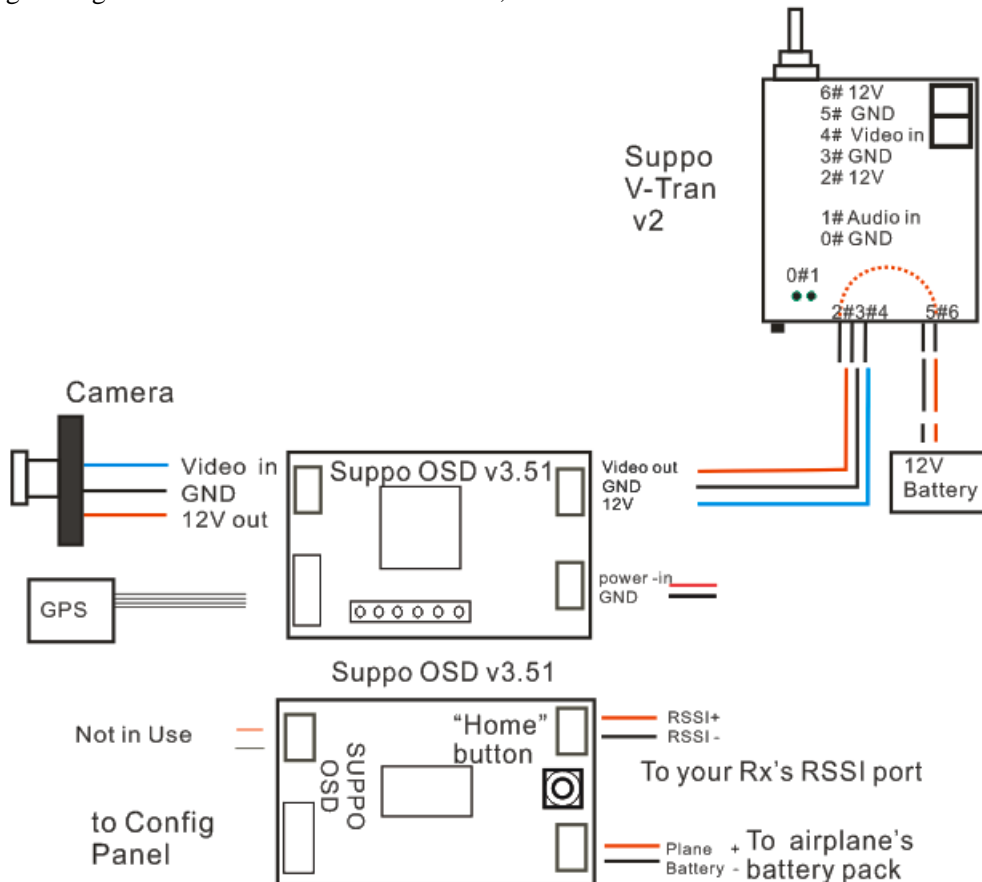
## Setting RSSI Min – Max value:

1. On ground power up TX and RX, press “set home” button, OSD will record RSSI Max;
2. On ground, power off TX, press “Menu” button, OSD will record RSSI Min value.
3. Select Save and Exit to save RSSI Min Max value.

### Notes:

GPS first start will take 1 minute. Re-start only 10 second.

Please note that you need to set “HOME” location (press home button) each time to get the right “Flight Distance” and “Home Distance”, and “Return Course”



## Specifications:

	Input Volt	Weight	Size
OSD	7-12V *	10g	44*28*11mm
GPS	3.3V	10g	
Power consumption:	Max: 1.1W	Plane batt detect max 28V	

\*When use voltage under 7V as power input, the voltage monitored will be in accurate.

The OSD will still work under 7v. The other information on screen such as speed, distance etc. are correct but not the voltage info.

